



Parts and Owners Manual

MOWER MODEL:

SERIAL:

ENGINE MODEL & HP:

DATE PURCHASED:

PURCHASED FROM:

**You must receive special training from the dealer before
operating this mower.**



Commercial Mower Operators Manual & Parts List

This mower not intended for consumer use

Special Training is required to operate this mower safely

MOWER MODEL:

SERIAL:

ENGINE MODEL & HP:

DATE PURCHASED:

PURCHASED FROM:

Important Information about this Manual

This owner's manual is considered a permanent part of mower. It must be available to all of the operators and/or person(s) servicing the mower. Should the mower be resold, this manual must remain with the mower. All information, illustrations, and specifications contained in this manual were in effect at the time of publication. Even Cut Mowers reserves the right to change, modify, and discontinue specifications and design without notice. If there is a change that has been made to your mower that is not shown or reflected in this manual, please see your authorized Even Cut Mowers dealer before operating and/or servicing of equipment. Congratulations on the purchase of your new Even Cut Commercial Mower. We at Even Cut Mowers are confident that this mower will provide you with years of excellent performance, durability, and trouble free service when operated and maintained as directed in this manual. Should you ever have any questions regarding the operation, maintenance, or safety of your mower, please contact your authorized Even Cut Mower dealer. A space has been provided above to record information about your new Even Cut Mower. Please take time to record such information for future reference, especially when you contact an authorized Even Cut Mower dealer with questions. **You must receive special training from the dealer before operating this mower.**

WARRANTY STATEMENT

Even Cut Mowers are warranted for two (2) years from the original date of purchase for commercial use one year for industrial and rental use against defects in material or workmanship, when operated and maintained in accordance with the Even Cut Mowers Owner's Manual. Even Cut Mowers will provide, free of charge, any part, no labor will be considered, of the original equipment returned to us or our authorized servicing representative with transportation or postage prepaid and which upon examination shall be defective. The cost of replacing items that is subject to normal wear, such as but not limited to; air filters, belts, blades, oil filters, cables, tubes and tires, will be borne by the purchaser/owner. Engines are warranted by the engine manufacturer. Please see engine owner's manual for engine warranty. This warranty does not cover any mower that has been subject to neglect, negligence, misuse, or accident, or that has been operated in any way contrary to the operating instructions as specified in the Even Cut Mowers Owner's Manual. This warranty does not cover any mower, which has been altered or modified, changing the performance or durability. In addition, the warranty is not extended to repairs made necessary by the use of parts or accessories, which, in the reasonable judgment of Even Cut Mowers are compatible with the mower or

adversely affect its operation, performance, or durability. This warranty is not transferable. Even Cut Mowers assumes no responsibility or incidental, consequential, or other damages including, but not limited to: expense for gasoline, expense of delivering the mower to a Even Cut Mower authorized dealer and expense of returning it to the owner, mechanic's travel time and labor, telephone or communication charges, rental of a like product during the time warranty repairs are being performed, travel, loss or damage to personal property, loss of revenue, loss of the use of the time or inconvenience. There are no other expressed or implied warranties and liability for consequential damages under this warranty and are excluded to the extent exclusions are permitted by law. Warranty service will be authorized only when proof of purchase is provided. The proof of purchase must contain the model number, serial number, and date of purchase, purchase price and from whom the unit was purchased. This warranty is limited to parts replacement only. Please retain the defective parts until the replacement parts are received. In some case, the parts may be requested to be returned. If parts are requested to be returned, they must be shipped prepaid and insured. Cost of shipping these parts is the responsibility of the owner or purchaser of the mower.

Important Owner and Dealer Information:

Please note that the warranty on this unit is for parts replacement only. No additional expenses or charges will be considered. Additional expenses and charges include but are not limited to, labor, freight, and travel time and shop expenses. These charges must be borne by the mowers owner or purchaser. If parts replacement is required under this warranty, please send a request to your distributor. The request must contain the following information: part number, quantity, model number, serial number, copy of original bill of sale and a description of the failure. Replacement parts will be shipped to you at no charge. Installations of these parts are not covered under warranty.

IMPORTANT INSTRUCTIONS:

Read the owners manual and make it readily available for future reference.

Be familiar with the operation of the mower. Extreme emphasis should be placed on operator safety and the mower's safety features.

Know the correct mower and engine service and maintenance requirements, and be able to perform or have preformed the service and recommended lubrication as required.

GENERAL

Before servicing, check the mower for such items as belt tension and cutting height adjustment, to be sure mower functions properly. Check attachment of the rear guard and inspect to make sure the chute guard is secure.

HANDLEBARS

This mower is shipped with the handlebars detached. Handlebars must be bolted into position before use. All controls must be properly mounted to the handlebars before starting.

Repairs or Service

IMPORTANT: If service or parts are required, be prepared to supply the service person with the model and serial number of the mower and engine. Include a complete description of the problem encountered.

TRAINING

Read the operating and service instruction manual carefully and completely. Be familiar with all safety controls and the proper use of the equipment.

NEVER let a child operate a power mower.

Keep the area of operation clear of all persons, especially small children and pets.

PREPARATION

1. Never operate your power mower unless **ALL GUARDS** are securely attached. Do not remove rear guard.
2. Thoroughly inspect area where the mower will be used. Remove all stones, sticks, bones and other foreign objects.
3. Wear long pants and substantial shoes when operating the mower. Do not operate mower-wearing sandals, tennis shoes, sneakers, shorts or loose-fitting clothing that could be caught in moving parts.
4. Check gas level before starting engine. Do not fill gas tank indoors, when the engine is running, or while the engine is still hot. Wipe off any spilled gasoline before starting engine.
5. Mow only in daylight.
6. Never operate a mower in wet grass. Always be sure of your footing, keep a firm hold on the handle, and walk, **NEVER RUN**
7. **NEVER** operate a mower without proper eye and hearing protection, i.e.: safety glasses face shield or goggles.

STARTING & STOPPING

1. Fill the engine crankcase with oil. Refer to the engine instruction manual supplied with this mower.
2. Fill the gas tank. Refer to engine manual.
3. Pump primer bulb on engine, or set throttle control to proper position.

TO START

1. Hold lever against the handlebar and pull recoil starter cord **See figure 3 NOTE:**
Return cord slowly-DO NOT LET HANDLE SNAP

REMEMBER: The lever control must be held against handlebar to operate the mower. **See Figure 1** When the lever is released, the engine and blade will stop.

GOING FORWARD:

Slowly press the control lever down and the mower will start to move forward. (Note: Only the 24B6.75SP can do this).

TO STOP

1. Release all lever controls, engine, and blade will stop. **See Figure 2**
2. **IMPORTANT:** Release the lever control this will STOP the blade and engine. If this feature fails to function, **DO NOT OPERATE MOWER.** Disconnect the spark plug wire and see your Even Cut dealer.

REMEMBER: The safety features on this mower are for your protection. Do not tamper with or remove these components.

OPERATION

1. Do not change the engine governor setting or over speed the engine.
2. Do not put hands or feet near or under rotating parts. Stay clear Of discharge area while the engine is running (Fig.5).

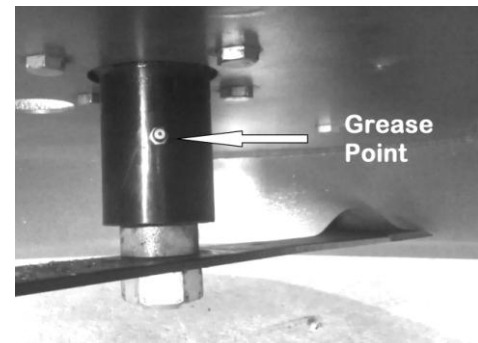


FIGURE 5

3. Stop the mower when crossing gravel drives, walks, roads, or any other area where thrown objects may be a hazard.
4. After striking a foreign object, or if the mower vibrates abnormally, stop the engine, disconnect, and secure the spark plug wire, inspect the mower for any damage before restarting.
5. Before cleaning, repairing, or inspecting, make certain the blade and all other moving parts have come to a complete stop. Disconnect the spark plug and secure the wire away plug to prevent accidental starting.
6. Do not run the engine indoors.
7. Mow across the face of slope, never up and down. Exercise extreme caution when changing directions on slopes. Do not mow excessively steep slopes.

MAINTENANCE & STORAGE

1. In order for your safety controls to function at the peak of efficiency, they must be inspected and adjusted regularly. Initial inspection shall take place after the first two (2) hours. Belt tension is a very critical part of your safety inspection, and should be checked frequently.
2. Keep all nuts, bolts and screws tight to assure safe mower operation.
3. Never store equipment with gas in the tank or in a building near a spark or flame. Allow the engine to cool before storing in any enclosure.
4. To reduce fire hazard, keep mower free of grass, leaves or excessive grease.
5. Have your mower service and inspected every year by your authorized Even Cut dealer, and if you perform repairs yourself, use only Even Cut replacement parts.
6. Grease all fittings before using and daily thereafter. The bearing will be destroyed in minutes if used dry.



IMPORTANT: If service or parts are required, be prepared to supply the service person with the model and serial number of the mower and engine Include a complete description of the problem encountered.

ENGINE GENERAL

Follow the engine manual supplied with this mower for proper engine maintenance and service. The engine on your Even Cut mower is an item for which the manufacturer maintains a national service organization. FOR ENGINE PARTS AND REPAIR INSTRUCTIONS, CONTACT THE ENGINE MANUFACTURER'S DEALER. Your engine is designed for long lasting service when given proper care. For the proper care instructions, READ YOUR ENGINE MANUAL'

SPECIAL SERVICE INSTRUCTIONS

Check oil level before every mowing.

Change Oil every eight to ten hours of operation. Use high quality SAE 30 oil. Use unleaded gasoline.

Keep your engine clean. Dirt and grass accumulation can result in serious damage to the precision parts of your engine.

SPECIAL SERVICE INSTRUCTIONS

Check oil level before every mowing.

Change Oil every eight to ten hours of operation. Use high quality SAE 30 oil..

Keep your engine clean. Dirt and grass accumulation can result in serious damage to the precision parts of your engine.

ENGINE SERVICE

Refer to engine owner's manual.

CAUTION: BE SURE TO HANDLE FUEL OUTDOORS, AWAY FROM SPARK OR FLAME.

LUBRICATION

To lubricate your Even Cut Mower, apply bearing grease through the fitting on the hub housing. .You may use an air pressure or hand-held grease gun. To lubricate the wheels on your Even Cut Mower high quality grease may be packed inside the wheel hubs.

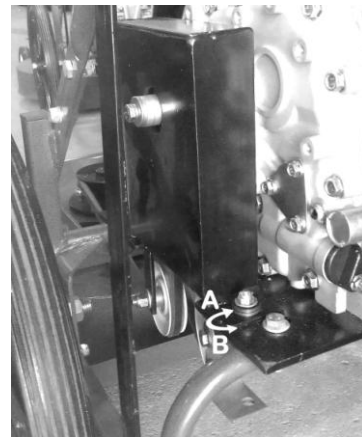
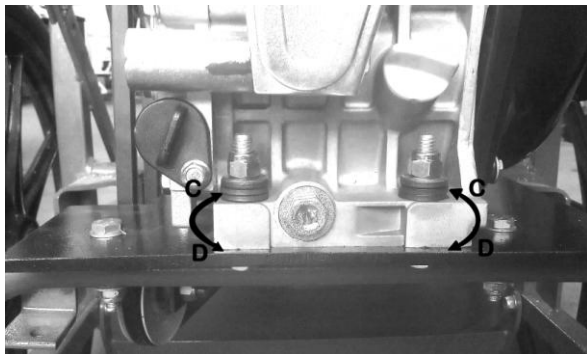
CUTTING HEIGHT ADJUSTMENT

Your Even Cut is adjustable to a accommodated your cutting height requirements by lower and raising the front and rear wheels.

BELT ADJUSTMENT

There are two washers shown on both A and C used to adjust the height of the Engine and the Belt Cover in order to make the belt more compactly:

- 1,Take off the washers from C than put it between the Engine and the Engine Mount (shown as D).
- 2, Take off the washers from A than put it between the Engine Cove and Engine Mount(shown as B).



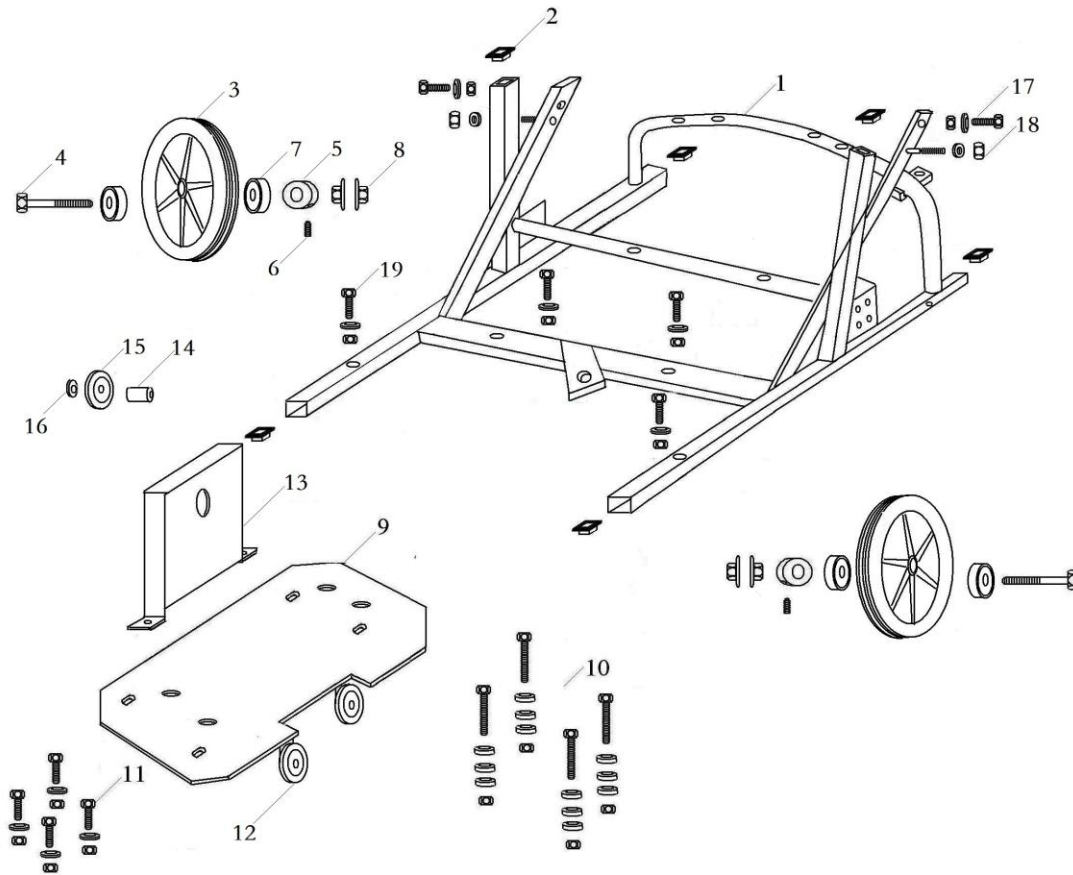
BLADE SHARPENING-CAUTION

CAUTION: WHEN ADJUSTING, REPLACING OR MOVING THE MOWER BLADE, THE SPARK PLUG WIRE MUST BE DISCONNECTED TO AVOID ACCIDENTAL STARTING.

CLEANING YOUR EVEN CUT MOWER

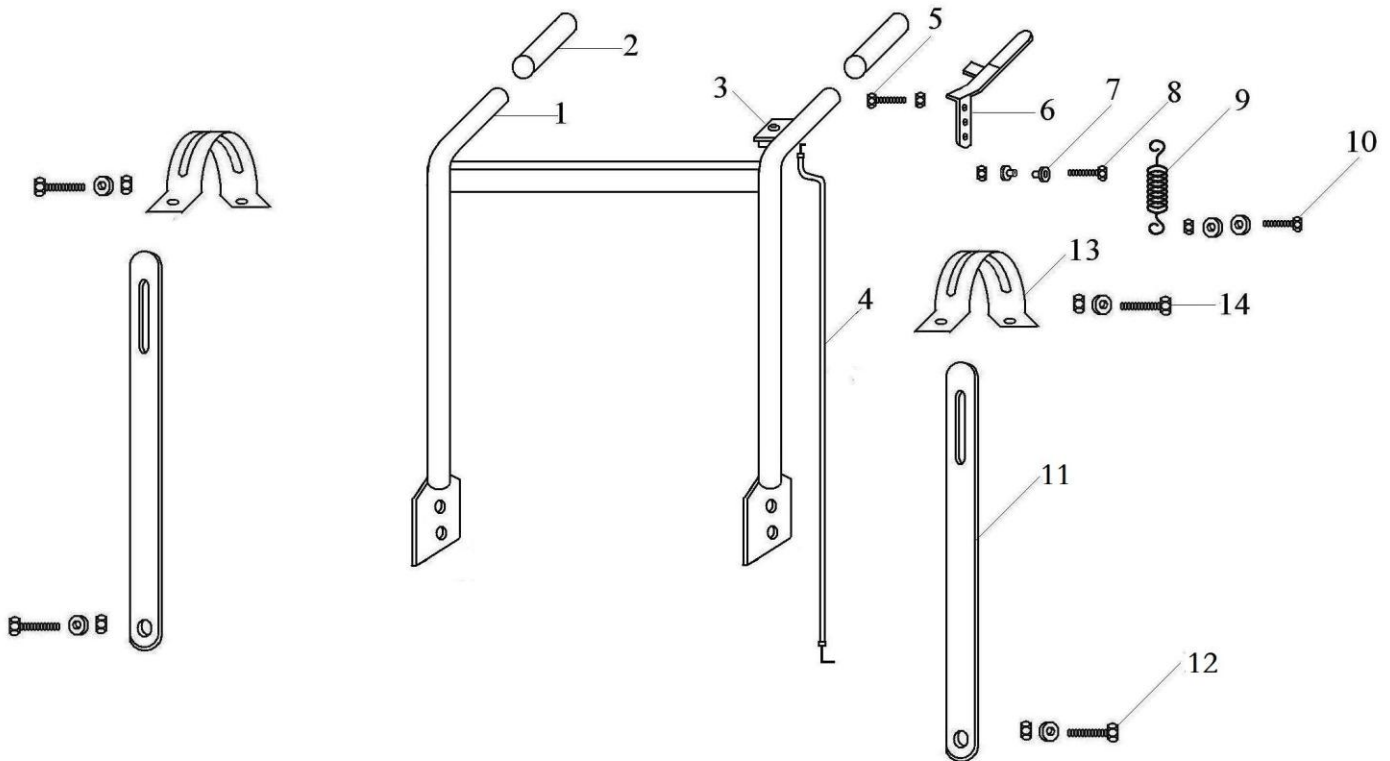
Clean your Even Cut after each use. Let the engine cool, and then wipe the grass and debris from mower and engine. Check mower pan for grass and dirt build-up. Disconnect the spark plug and tip mower on its side (muffler side up) to clean underneath deck. Check the blade and mounting hardware at frequent intervals for wear and tightness. Replace worn parts with Even Cut original equipment parts for safety.

1. 26" Mower Frame Part-One



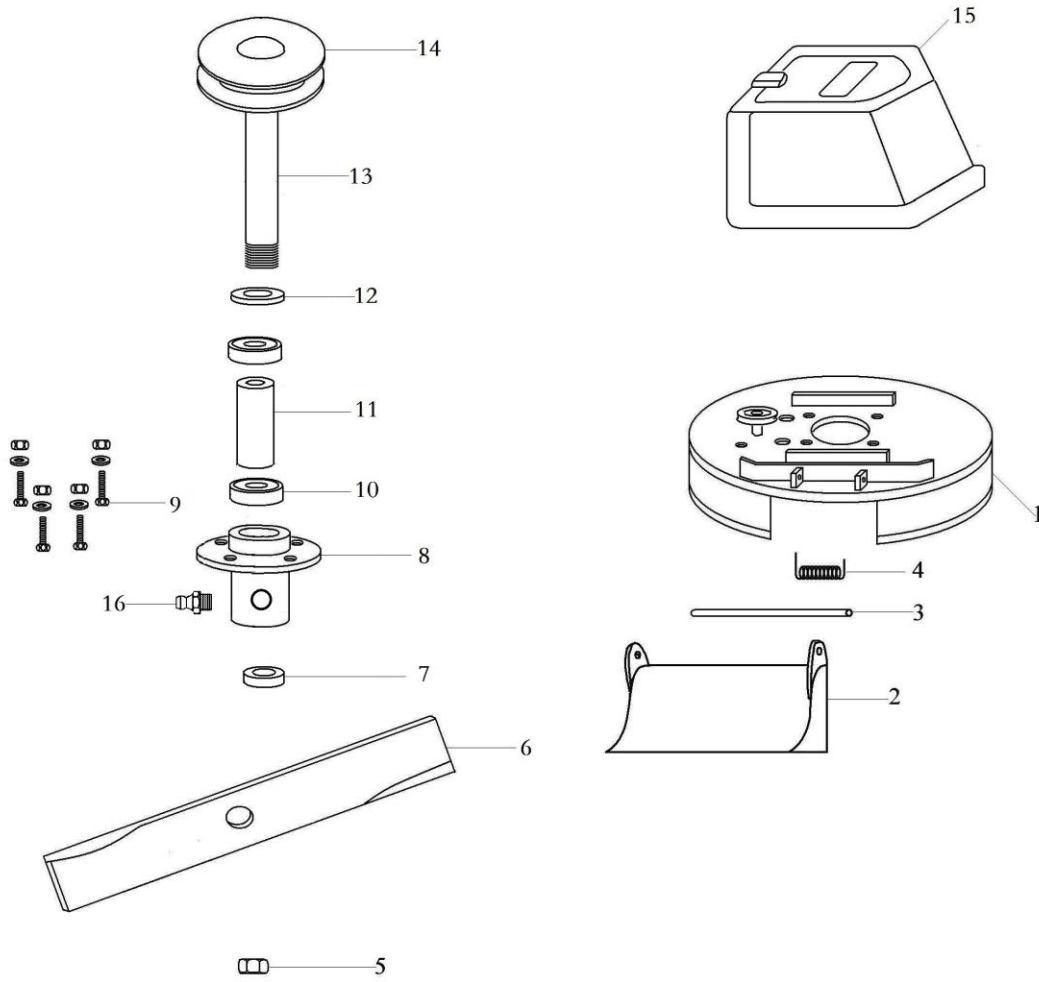
Item No.	Description	Specification	Qty.
1-1	Mower Frame For 26"		1
1-2	Plastic Tube Stopper		6
1-3	Back Wheel		2
1-4	Axle bolt	M14 x120	2
1-5	Collar		2
1-6	Screws	M8 x 16	2
1-7	Bearing	M25	2
1-8	Nut with Spacer	M14	4
1-9	Engine Mount		1
1-10	Set Bolt, Washer, Lock Nut For Fix Engine	M8 x 35	4
1-11	Set Bolt, Washer, Lock Nut For Fix Mount	M8 x 35	4
1-12	Idler Pulley		2
1-13	Belt cover		1
1-14	Spacer		1
1-15	Engine Pulley		1
1-16	Set Bolt, Washer, Lock Nut For Fix Frame and Plow Handle	M8 x 20	2
1-17	Set Washer, Lock Nut For Welded Screw on the frame	M8	2
1-18	Set Bolt, Washer. Lock Nut For Fix Frame and Deck	M8 x 35	4

2. 26" Mower Frame Part-Two



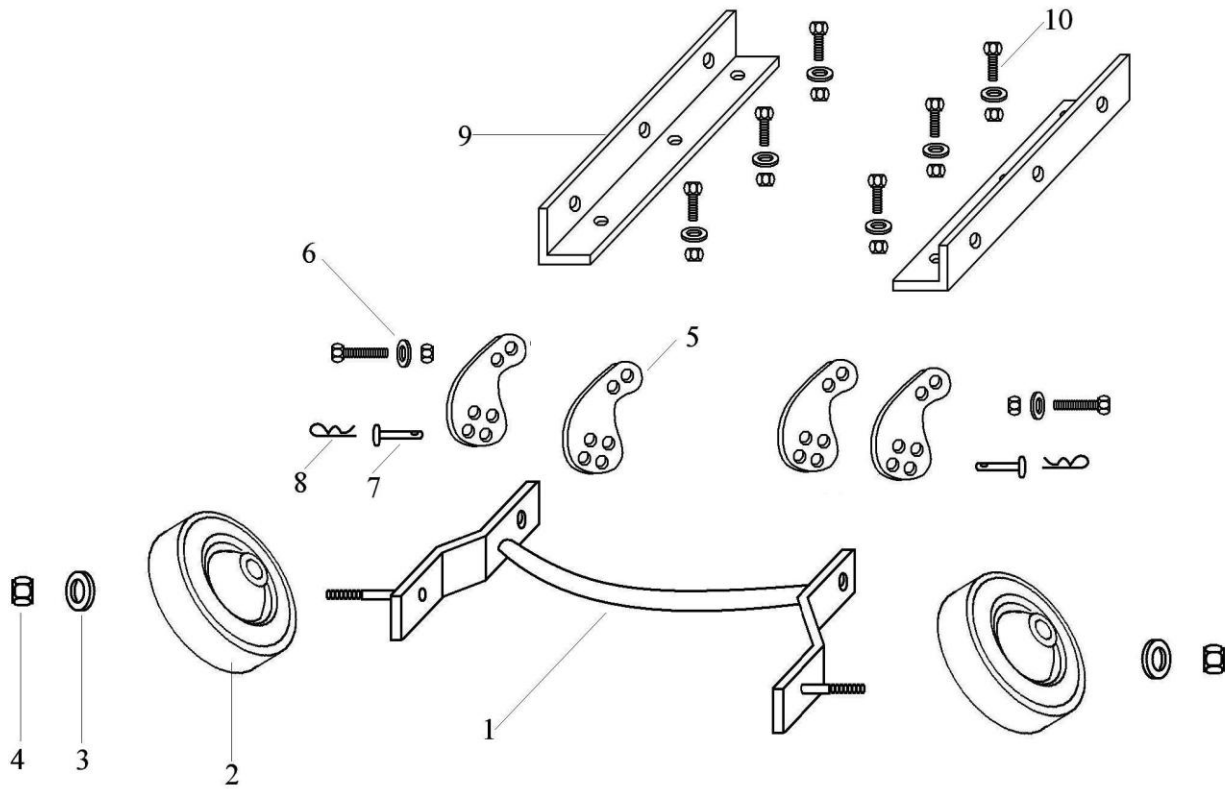
Item No.	Description	Specification	Qty.
2-1	Plow Handle		1
2-2	Handle Grip		2
2-3	Safety Switch		1
2-4	Safety Cable		1
2-5	Set Bolt, Lock Nut	M6 x15	1
2-6	Bail Weldment		1
2-7	Nylon Washer		2
2-8	Set Bolt, Lock Nut	M5 x 45	1
2-9	Tension Spring		1
2-10	Set Bolt, 2 Washers, Lock Nut	M5 x 45	1
2-11	Support Bar		2
2-12	Set Bolt, Washer, Lock Nut	M8 x 40	2

3. 26" Mower Gearing



Item No.	Description	Specification	Qty.
3-1	Deck Weldment		1
3-2	Chute Ext		1
3-3	Shaft		1
3-4	Torsional Spring		1
3-5	Hexagon Nut	M25	1
3-6	Edge Blade		1
3-7	Blade Spacer		1
3-8	Spindle Housing		1
3-9	Set Bolt, Washer, Lock Nut	M10 x 25	4
3-10	Bearing	203	2
3-11	Spacer		1
3-12	Washer		1
3-13	Spindle Shaft		1
3-14	Spindle Pulley		1
3-15	Deck Shield		1
3-16	Grease fitting		1

4. 26" Mower Gearing



Item No.	Description	Specification	Qty.
5-1	Front End		1
5-2	Front Wheel		2
5-3	Spacer	φ12	2
5-4	Lock Nut	M12	2
5-5	Height Adjustment		4
5-6	Set Bolt, Washer. Nut	M10 x 35	2
5-7	Clevis Pin	φ12	2
5-8	Hair Pin Cotter	φ4	2
5-9	Angle Iron Supporting Framework		2
5-10	Set Bolt, Washer. Lock Nut	M10 x 20	6
5-11	Set Bolt, Washer. Lock Nut	M10 x 35	2