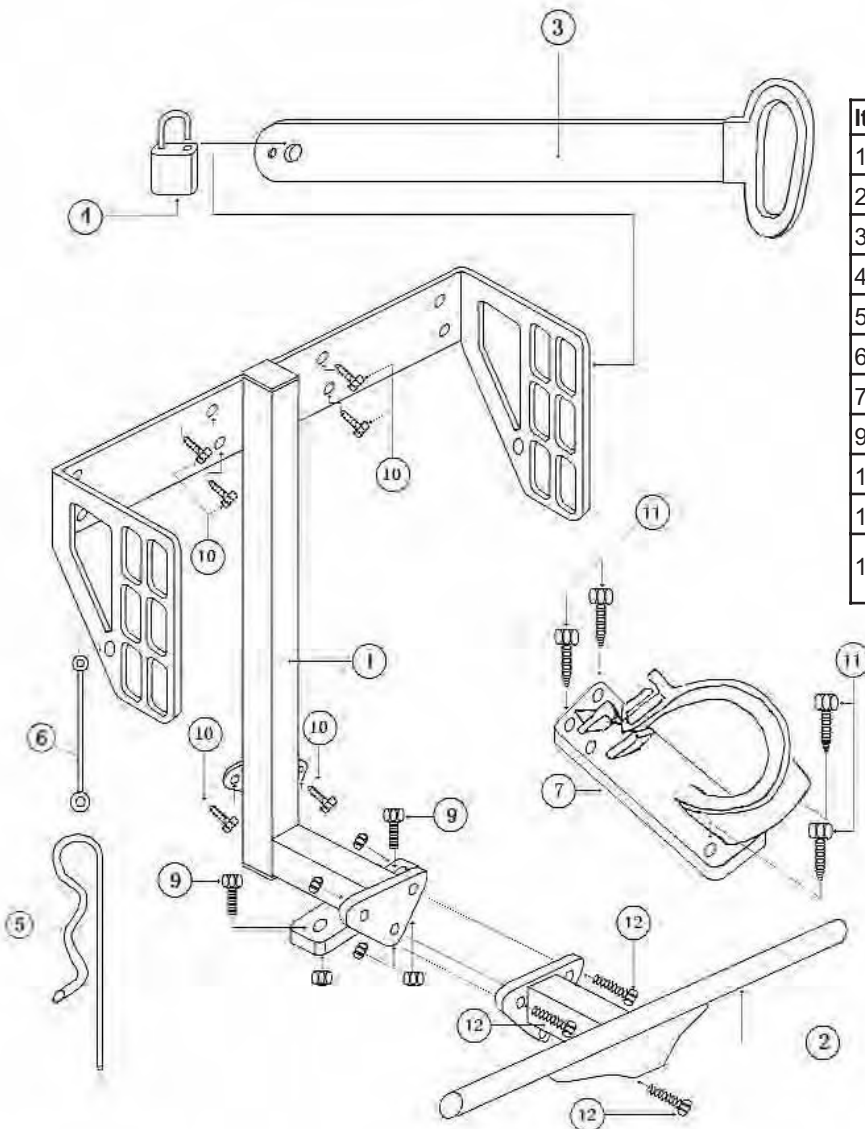




Equipment Guard II BR3000 Blower Rack

Illustrated Parts List



Item	Part No.	Description
1	37011	Frame
2	37012	Connector
3	37013	Safe Bar
4	37014	Lock
5	37008	Hair Pin Cotter
6	37001	Long Strap
7	37015	Blower Tube Holder
9	37017	Bolt -1 Locknut 10x30mm
10	37018	Screw 6x35mm
11	37019	Screw 5x25mm
12	37020	Bolt with 1 Locknut & 2 Washers 6x25mm

LIMITED WARRANTY: Havener Enterprises, Inc. warrants that the above product is free from original defect, in workmanship and material for 24 months from date of purchase. Warranty is void if product has been damaged through causes not arising out of defects in material or in workmanship. This warranty covers parts only. Bent parts of product, coating and paint are specifically excluded from this warranty. Havener Enterprises, Inc. disclaims any consequential damages, arising from the breach of any warranty. (Some states do not allow the exclusion of consequential damages, so the above disclaimer may not apply to you.) During the above mentioned warranty period, the product will either be repaired or replaced with a new or reconditioned model of an equal equity (at Havener Enterprises, Inc.'s option) when the product is returned with a copy of the original retail invoice, by UPS (prepaid and insured) to Havener Enterprises, Inc., 368 S Michigan Ave, Bradley, IL 60915 phone: 815.935.8383. Call before returning any product.

7/2/07



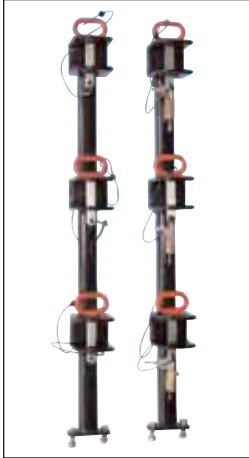
Illustrated Parts List Equipment Guard II

TG3000

TG3500

TG2002

TG2000



A



B



C



D

Part No.	Description	Unit Pack	Fits
37001	Long Strap For Flat Pin	Pack of 10	A, B
37002	Short strap for locks and lynch pin	Pack of 10	A, B
37003	Flat pins	Pack of 3	A, B
37004	Bolts	Pack of 10	A, B
37005	Nyloc Nut	Pack of 10	A, B
37006	Strap screws	Pack of 10	A, B
37008	Spring Pin	Pack of 10	A, B
37009	Set of three pad locks keyed alike	Set of 3	A, C, D
37010	TG2000 replacement Tips	Set of 6	D

Additional Equipment Guard II Parts

Part No.	Description	Fits
37021	Strap	WC2000, WC3000
37022	Bungee Cord	MP2000

LIMITED WARRANTY: Havener Enterprises, Inc. warrants that the above product is free from original defect, in workmanship and material for 24 months from date of purchase. Warranty is void if product has been damaged through causes not arising out of defects in material or in workmanship. This warranty covers parts only. Bent parts of product, coating and paint are specifically excluded from this warranty. Havener Enterprises, Inc. disclaims any consequential damages, arising from the breach of any warranty. (Some states do not allow the exclusion of consequential damages, so the above disclaimer may not apply to you.) During the above mentioned warranty period, the product will either be repaired or replaced with a new or reconditioned model of an equal equity (at Havener Enterprises, Inc.'s option) when the product is returned with a copy of the original retail invoice, by UPS (prepaid and insured) to Havener Enterprises, Inc., 368 S Michigan Ave, Bradley, IL 60915 phone: 815.935.8383. Call before returning any product.

7/2/07