

Mower Sulky[®]

By Havener Enterprises, Inc.

Assembly & Installation

MOWER SULKY MS2006 and TS2006

1. Install the hitch to the bottom four bolt holes of the mounting bracket. (Figure 1)

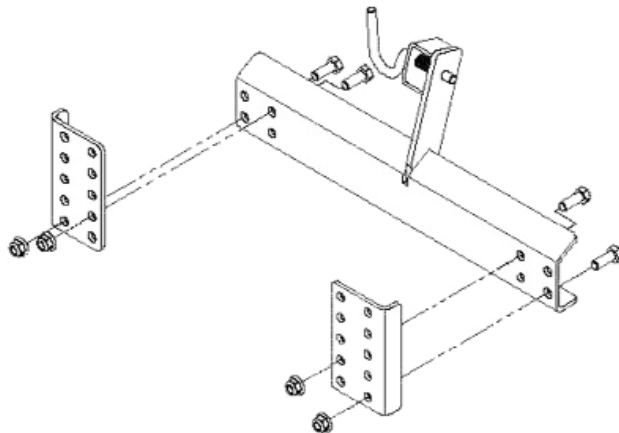


Figure 1

2. Center the mounting brackets on the rear deck. Mark and drill four holes using the top two holes in each bracket. (Figure 2)

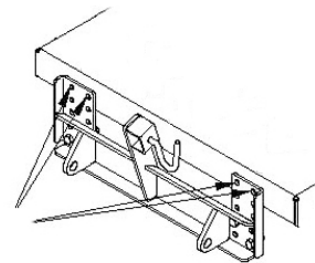


Figure 2

3. Bolt the brackets to the rear of the mower deck. Install the two flat washers behind the deck. (Figure 3)

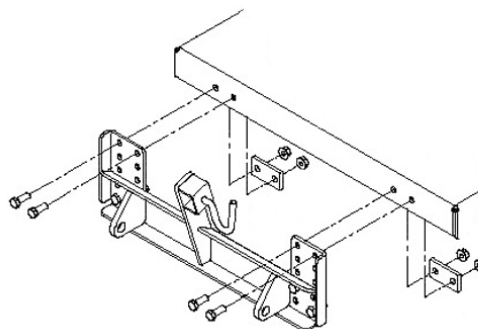
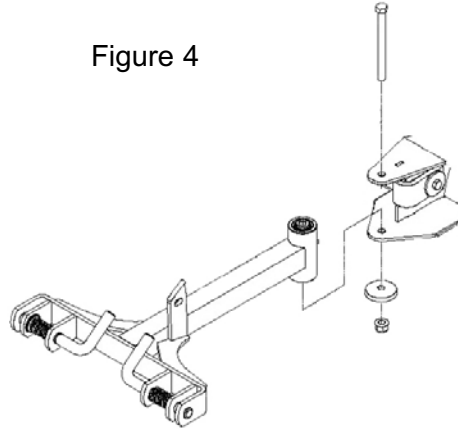


Figure 3

INSTALLATION MOWER SULKY TS2006

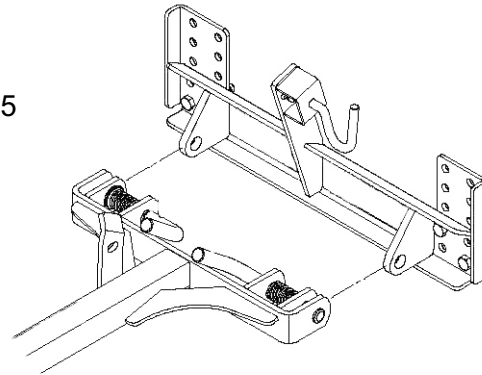
4. Install the forward hitch arm to the sulky. (Figure 4)

Figure 4



5. Install the forward hitch arm to the hitch (Figure 5)

Figure 5



6. After installing the forward arm hitch, adjust the hitch up or down on the bracket to make the platform as level as possible. (Figure 6)

Figure 6

