

Mower Sulky

By Havener Enterprises, Inc.®

SDS2004 Illustrated Parts List

Item	Part No	Description	Qty
1	8001	Seat	1
2	8002	Sulky Frame with bushings	1
3	8003	Hitch Weldment	1
4	8004	Yoke, Wheel Support	2
5	8005	Wheel and Tire with Bearing	2
6	8006	Stabilizing Rod	2
7	8007	Steering Rod	1
8	8008	Seat Spring	1
9	8009	Seat Spacer	1
10	8010	Lock Washer 12 GB93-87	1
11	8011	Hexagon Bolt 12*40 GB5783-86	2
12	8012	Hexagon Bolt 12*50 GB5783-86	2
13	8013	Nut Flange M12 GB6187-86	1
14	8014	Nut Nylon M10 GB889-86	6
15	8015	Hexagon Bolt 10*25 GB5783-86	3
16	8016	Lock Washer 10 GB93-87	6
17	8017	Plain Washer 10 GB5287-85	4
18	8018	Bushing, Flange Pivot	7
19	8019	Bushing, Straight Pivot	3
20	8020	Crank Weldment	1
21	8021	Hexagon Bolt 10*50 GB5782-86	6
22	8022	Rod End LH	3
23	8023	Plain Washer 10 GB95-85	6
24	8024	Rod Spacer	6
25	8025	Turn Buckle Rod	3
26	8026	Nut Thin M10 GB6172-86	3
27	8027	Grease Fitting GB1152-89	5
28	8028	Rod End LH	3
29	8029	Hexagon Bolt 12*170	2
30	8030	Lock washer 12 GB93-87	7
31	8031	Nut M12 GB41-86	2
32	8032	Spacer 4	4
33	8033	Pivot tube, Yoke	2
34	8034	Hexagon Bolt 10*100 GB5782-86	2
35	8035	Pivot Tube Hitch	2
36	8036	Hitch Release Pin	1
37	8037	Hitch Release Spring	1
38	8038	E-Ring 12 GB896-86	1
39	8039	Anti Skid Pad	2
40	8040	Pivot Block	1
41	8041	Hitch, Mower (Not Shown)	1



LIMITED WARRANTY Havener Enterprises, Inc. warrants that the above product is free from original defect, in workmanship and material for 12 months from date of purchase, which includes a 7 DAY no questions asked return policy. Warranty is void if product has been damaged through causes not arising out of defects in material or in workmanship. Bent parts of product, tires, tubes, bushings, worn bearing parts, and paint are specifically excluded from this warranty. Havener Enterprises, Inc. disclaims any consequential damages, arising from the breach of any warranty. (Some states do not allow the exclusion of consequential damages, so the above disclaimer may not apply to you.) During the above mentioned warranty period, the product will either be repaired or replaced with a new or reconditioned model of an equal equity (at Havener Enterprises, Inc.'s option) when the product is returned with a copy of the original retail invoice, by UPS (prepaid and insured) to Havener Enterprises, Inc., 368 S Michigan Ave, Bradley, IL 60915 phone: 815.935.8383

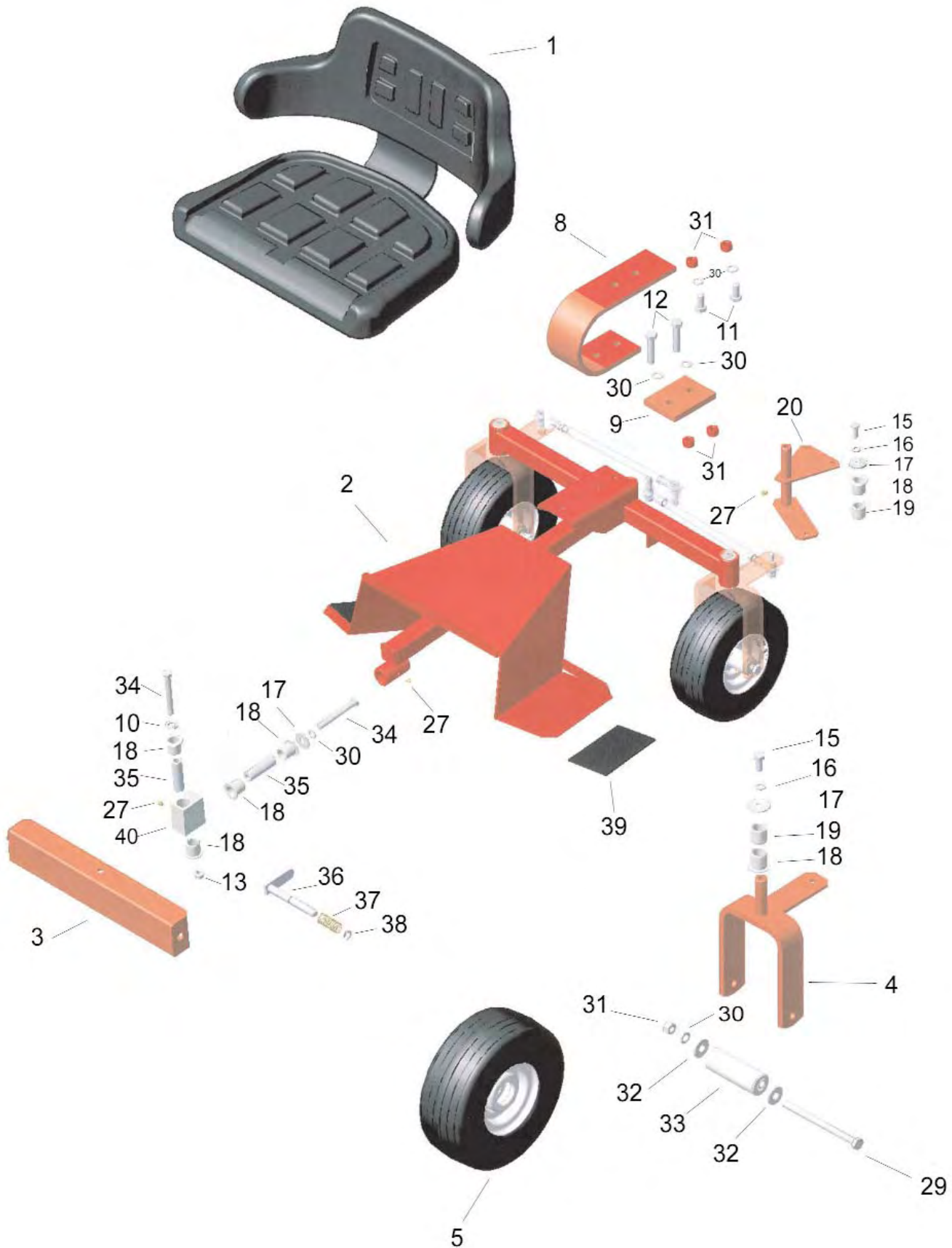
Operation of Sulky



FAILURE TO FOLLOW SAFETY PROCEDURES MAY RESULT IN PERSONAL INJURY AND/OR DAMAGE TO EQUIPMENT

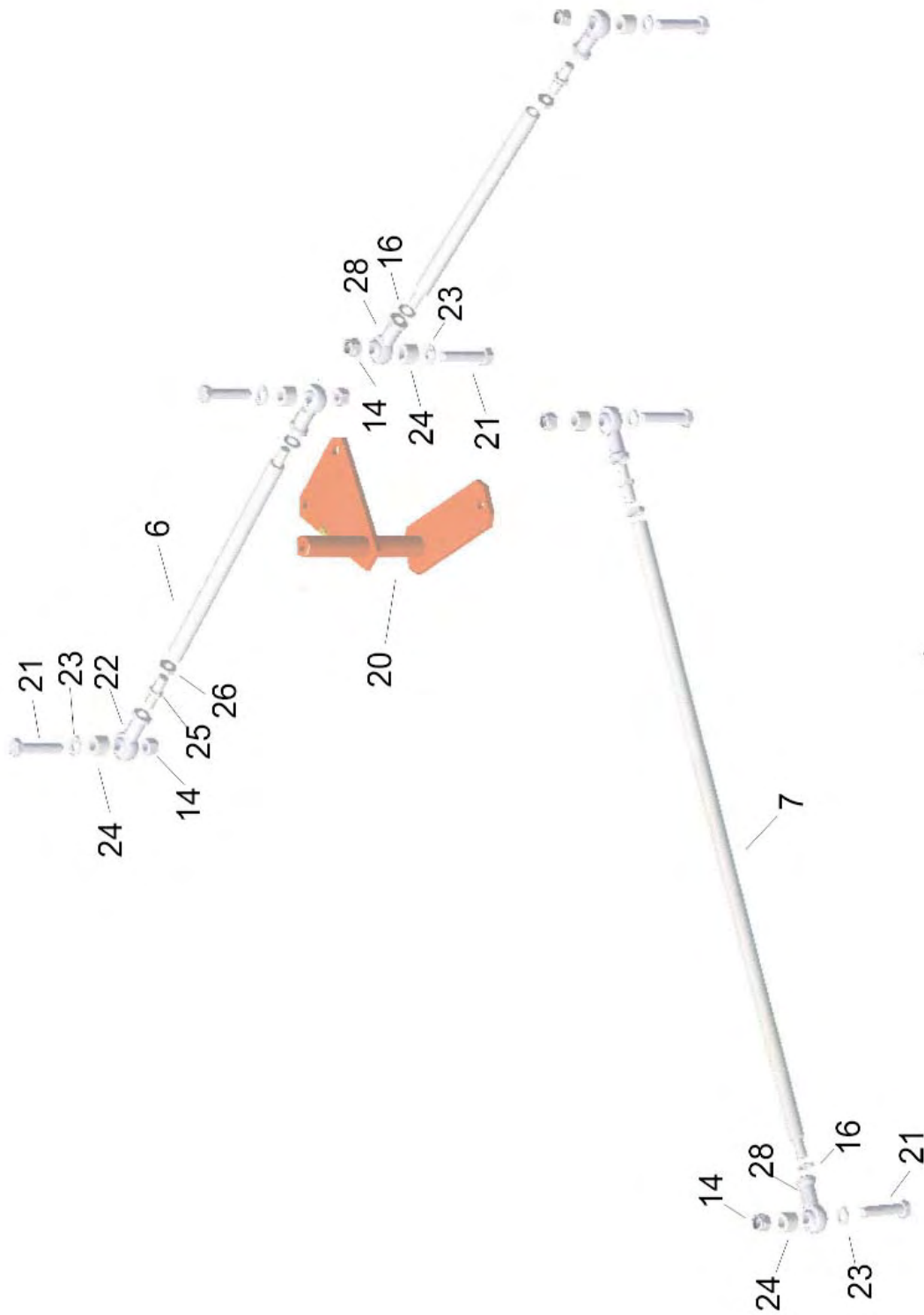
1. Avoid steep slopes and use extreme caution when changing directions.
2. Always stop the mower engine and disengage blades when getting off sulky.
3. Never operate the sulky with defective or damaged parts. Check the tightness of all nuts, bolts, pins, and screws.
4. Do not back up or on a ramp with sulky attached to mower.
5. Do not carry passengers.
6. Before operating sulky look for uneven terrain or items such as stones, sticks, or other foreign objects.
7. Always keep feet on footrest.
8. Never park on hills - only on level ground.
9. Mow only in daylight.

Frame & Seat Components



SDS2004 Illustrated Parts List

Steering Components



SDS2004 Illustrated Parts List